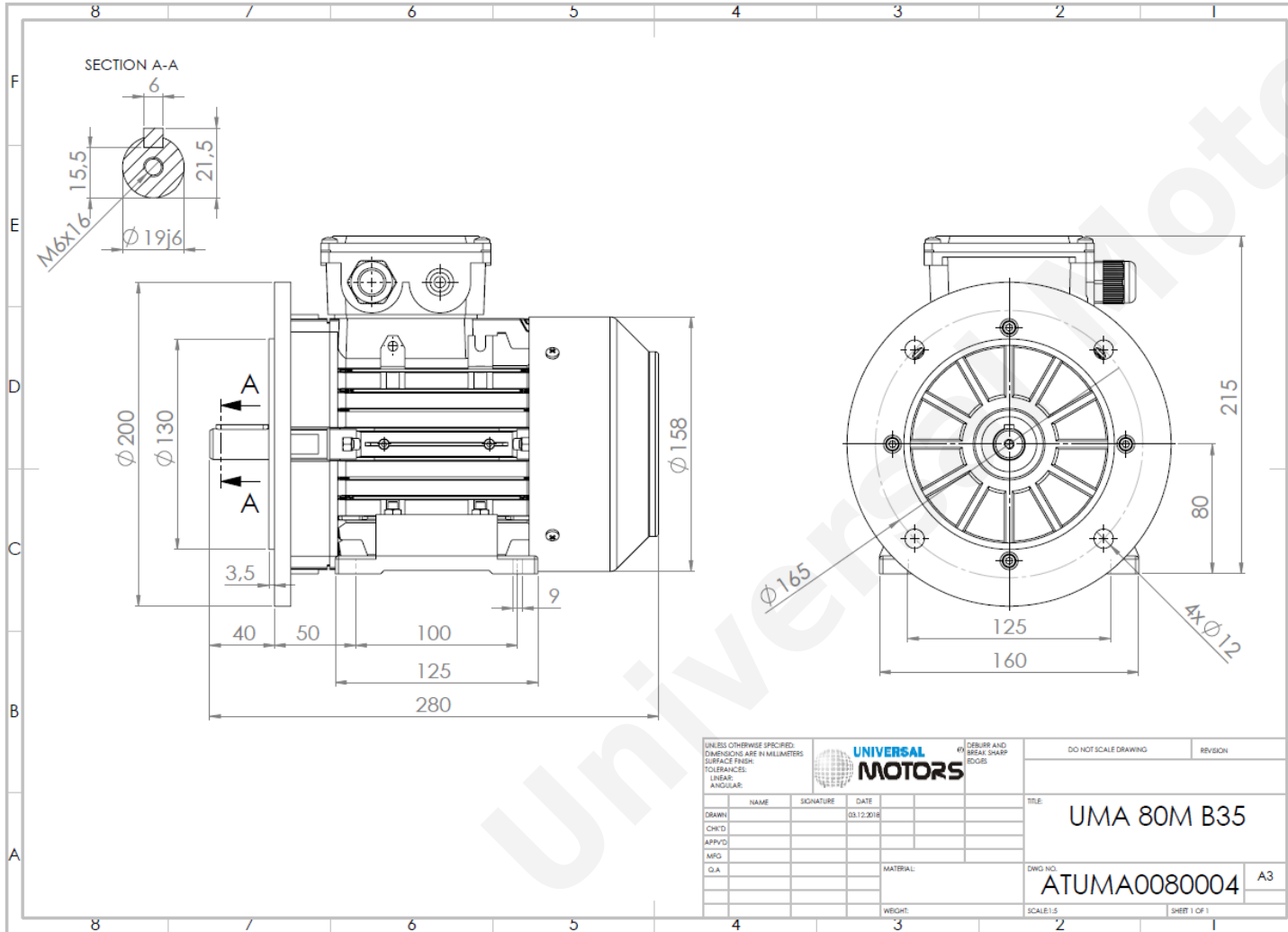




# TECHNICAL DATA

Three Phase Electric Motors - Aluminum Frame  
 UM2A 80M3-4  
 1.1 kW / 1.5 Cv  
 1420 RPM



|                             |                        |
|-----------------------------|------------------------|
| Motor type:                 | <b>UM2A 80M3-4</b>     |
| Output:                     | <b>1.1 kW / 1.5 Cv</b> |
| Speed (min <sup>-1</sup> ): | <b>1420 RPM</b>        |
| Frequency:                  | <b>50 Hz</b>           |
| Voltage:                    | <b>400 V</b>           |
| Current:                    | <b>2.71 A</b>          |
| Power factor (Cos Ø):       | <b>0.72</b>            |
| Poles:                      | <b>4</b>               |
| Insulation class:           | <b>F</b>               |
| Temperature rise Class:     | <b>B</b>               |
| Efficiency 50%:             | <b>79.7 %</b>          |
| Efficiency 75%:             | <b>81.9 %</b>          |
| Efficiency 100%:            | <b>81.4 %</b>          |
| Torque:                     | <b>7.4 N.m</b>         |
| Tstarting/Tnominal:         | <b>3.1</b>             |
| Istarting/Inominal:         | <b>5.9</b>             |
| Tmaximum/Tnominal:          | <b>3.1</b>             |
| Noise:                      | <b>61 Db(A)</b>        |
| Weight:                     | <b>12.3 Kg</b>         |
| Brake AC:                   | <b>AC3</b>             |
| Torque Brake DC:            | <b>8 N.m</b>           |
| Bearing DE:                 | <b>6204 2Z</b>         |
| Bearing NDE:                | <b>6204 2Z</b>         |
| Torque Brake AC:            | <b>15 N.m</b>          |
| Brake DC:                   | <b>REB-05-08</b>       |

Regime - S1

Altitude - 1000m

Environment Temperature - 40°C

## CONTACTS:

UNIVERSAL MOTORS Tel: +351 252 299 080  
 Rua de São Brás,745 Fax: +351 252 299 089  
 4480-782 VILA DO CONDE Mail: [geral@universalmotors.pt](mailto:geral@universalmotors.pt)

\* References applied only in the UK